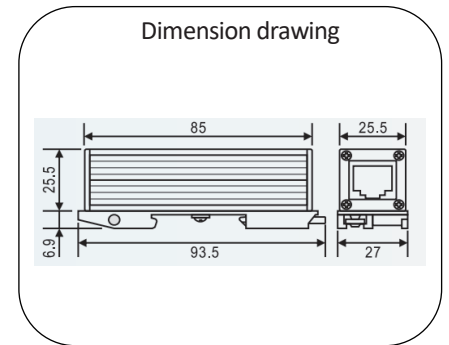
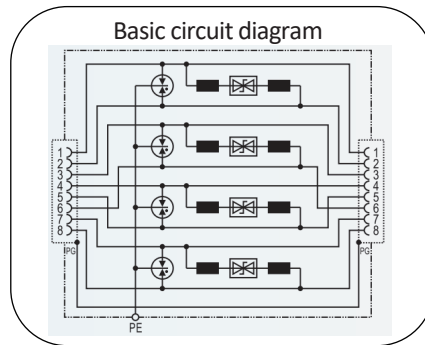




# RJ45 CAT6 SURGE PROTECTOR EN-05RJ45HSCAT6



EN-05RJ45HSCAT6 Protector is designed for Gigabit Ethernet terminals against surges, a suitable for use in category location B, C (ANSI/IEEE C62.41) or directly at the upstream near the protected devices.

### Technical Features

- Data network protector In according with standard UL497b, EN50173 Category 6, IEC61643-21
- Ethernet CAT6&CAT5/5e system protection;
- Applied in offices and industries like Gigabit Ethernet, ATM or ISDN system, and VoIP system (e.g. Switch, router, HUB, modem and so on)
- High discharge capability, total nominal discharge current 10kA 8/20 and Lightning current up to 1.0KA 10/350
- RJ45 connector for cat6&cat 5/5e network technology, 100BaseT, 1000BaseT/TX, 8 wires protection.
- Din Rail Type is available;

Part No.	EN-05RJ45HSCAT6	
In accordance with	UL497b, EN50173 Category 6, IEC61643-21	
Nominal voltage (Vdc) Un	05V	
Max. continuous operating voltage (Vdc) Uc	08V	
C2 Nominal discharge current(8/20us) In	0.15kA(L-L)	
	2.5kA(L-G)	
C2 Total nominal Discharge Current (8/20us)	10kA	
Lightning impulse current (10/350)	limp	0.5kA
Nominal Current	IL	1000mA
Voltage protection level (V)	@C2 (8/20μs)Up	<35(L-L); <600(L-G)
Insertion loss@250MHz	≤2 dB	
Transmission Speed	1000Mbps	
Capacitance	≤165pF(L-L)	
	≤255pF(L-G)	
Technology	Two-stage protection circuit, GDT/SAD tech	
Transmission standards	10BaseT/ 100BaseT/1000BaseT /1000BaseTX(CAT6)	
Pinning	1/2, 3/6, 4/5, 7/8	
Mounting	35mm DIN rail	
Material	Aluminum	
Type of Connection IN/OUT	RJ45 (shielded)Female/ Female	
Earthing via	Screw terminal	
Operating temperature range	-40°C ~ +80°C	